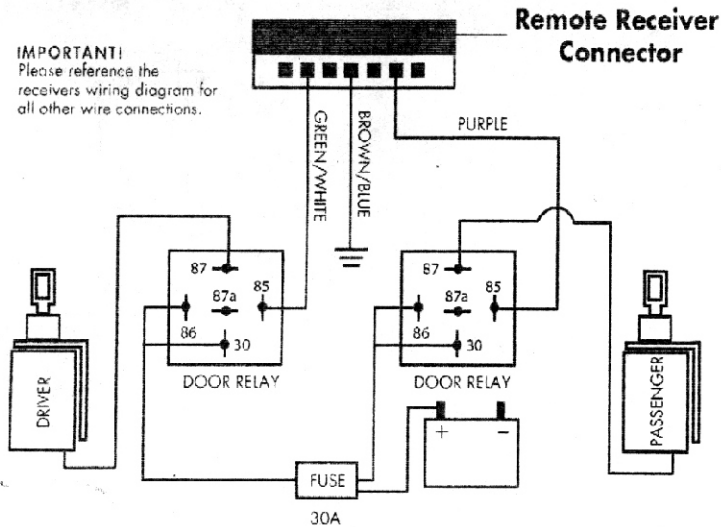


ALARM KITS

IMPORTANT!
Please reference the receiver's wiring diagram for all other wire connections.



IMPORTANT NOTICE: Upon completion of installation, you may have extra unused wires on the wiring harness. Do not be concerned. These wires are used for features available on other models.

SOLENOID INSTALLATION

1. Using the 2 standard screws and washers provided attach the bracket to the solenoid. Install the smaller screw and washer on the solenoid's rear terminal.
2. Remove door's interior door panel and locate the factory latch. Clean and lubricate the latch.
3. Using the hex bolts mount the solenoid to a clean piece of metal on the door. Ideally you want to mount the solenoid so you have a direct pull from the door latch to the solenoid. If you are unable to mount the solenoid with a direct pull, relocate the solenoid to best fit your door panel. In some cases you will need to use the cable extension kit (SVAEX) to redirect the cable from the latch to the solenoid. (figure 1)
4. Create a loop with the cable and secure with the aluminum crimp around the door latch. (See figure 2) Run cable through door avoiding all moving parts to the solenoid.
5. Run cable through the eye of the solenoid, create a loop, and secure w/ aluminum crimp. (See figure 3)

NOTE: for best performance you will want to keep a little slack in the cable.

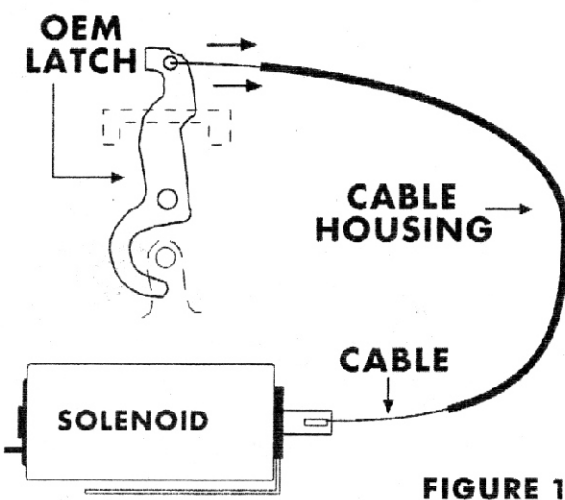


FIGURE 1

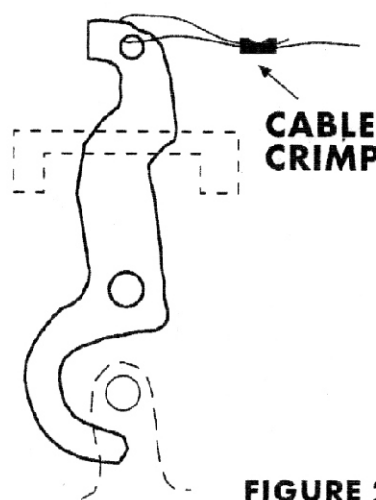


FIGURE 2

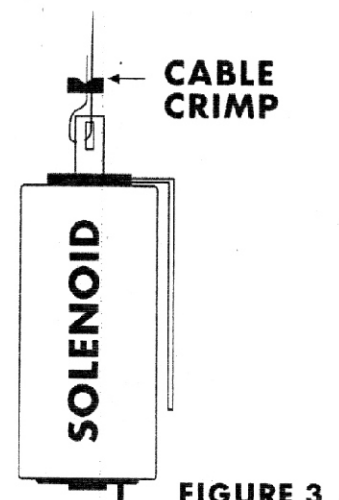


FIGURE 3